

**JUDGE QC
PANTONE 3
LIGHT BOOTHS**

PRODUCT LAUNCH

29 SEPTEMBER 2015



**“In the right light, at the right time,
everything is extraordinary.”**

Aaron Rose
director, producer, writer, independent curator, artist

Get the right color – *Right*. Anywhere and everywhere.

Evaluating and approving color without the proper visual assessment tools can cost time and damage a brand's reputation.

Luckily, X-Rite Pantone offers the ideal, controlled and consistent color environment - enabling you to make sure your colors always match!

- Color can appear differently under different lighting conditions
- A metamerism effect is when two colors appear to match under one light source but appear completely different in another

For optimum results, color evaluation should be examined and approved under a variety of Lighting conditions before reaching the retail market.



INTRODUCING: JUDGE QC AND PANTONE 3 LIGHT BOOTHS

JudgeQC



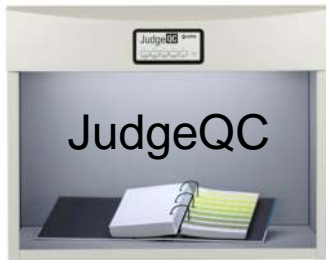
PANTONE 3



Not only are our booths stylish and complementary to any work space, they also deliver non-failing daylight, store and home lighting options that will help you adequately identify color variations and metamerism effects early and save time and money from unnecessary approval rounds.

JudgeQC Launch: September 29th 2015
Judgell Discontinued: December 31st 2015

NEW X-RITE LIGHT BOOTHS



Sales Channel



Industrial Environments

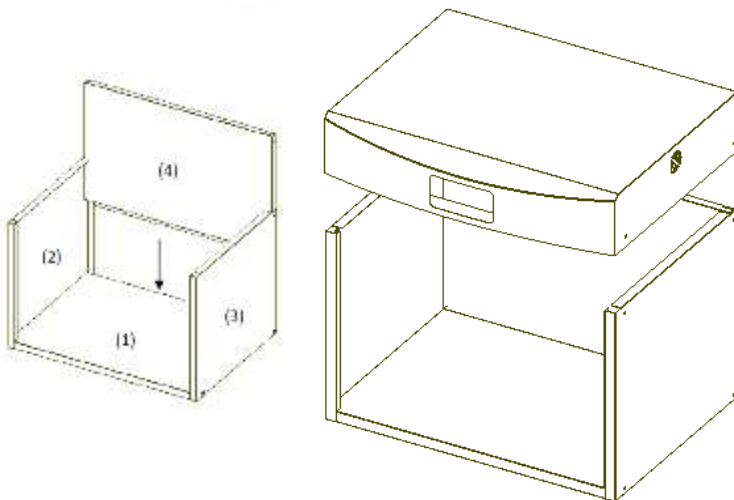
Print & Design Environments

JUDGEQC



Standard Booth Features:

- Complementary style to SPLQC
- Option of Dual daylight D50 & D65
- N7 Neutral background for accurate color viewing
- Sized to fit well into most work spaces
- Durable, steel construction
- Powder-coated finish for stain and scratch resistance
- Lamp service indication light
- Depress micro-style buttons
- Long, expected life span with warranty
- Flat packed with easy customer build up.
- Switchable power transformer (100/115/127/230 Volt)

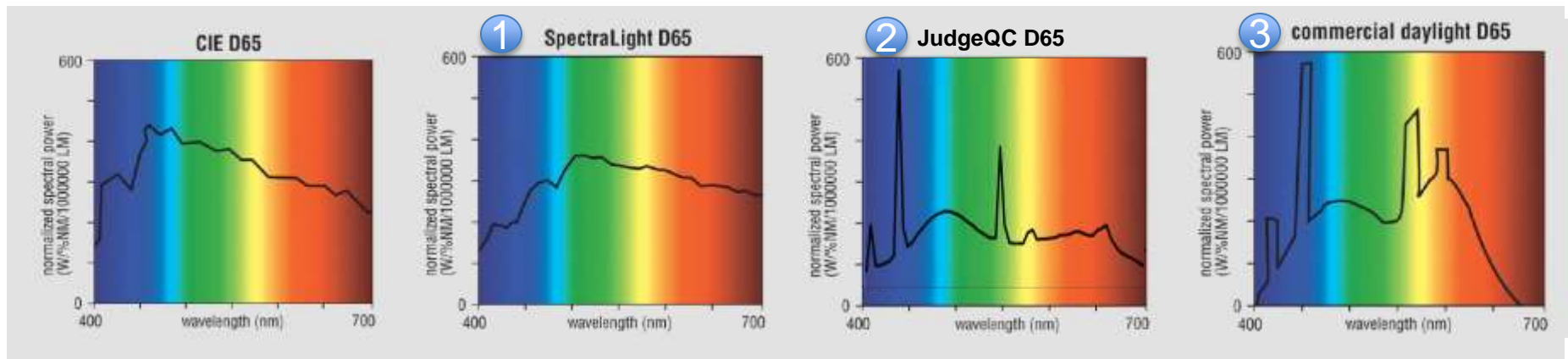


BEST IN CLASS FLUORESCENT DAYLIGHT

Why all daylight simulators are not the same...

Simulated daylight can be achieved through several different lighting methods, including:

- 1) Filtered tungsten halogen (SPL QC)
- 2) Custom wide band fluorescent (JudgeQC and Pantone 3/5)
- 3) Wide band fluorescent (commercial daylight)

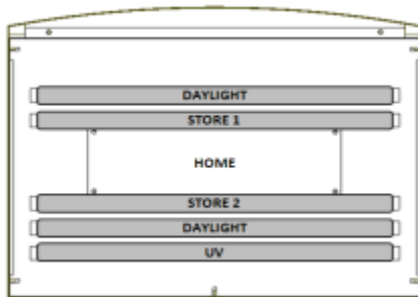


All produce light energy with a correlated color temperature and chromaticities equal to the phase of daylight that they simulate. However, closer evaluation of their energy content reveals more obvious differences in the quality of the simulators.

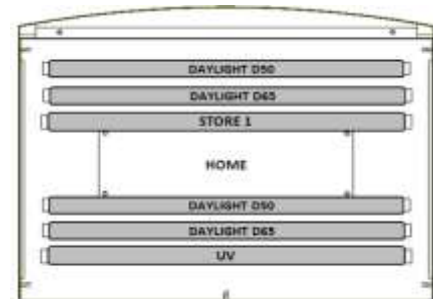
FLUORESCENT LAMP DETAILS

X-Rite offers the highest quality fluorescent lamps, using:

Type	Phosphor's	CRI	Specification	Industry
D65	9	98	ASTM D1729 / BS 950 Part 1	Industrial applications
D50	6	98	ISO 3664:2009 / BS 950 Part 2	Print & Graphics



Single Daylight



Dual Daylight

VOLTAGE SELECTION

One part # for global usage!

- Booths can be used can be used with any geographic power standard.
- Open fuse draw with flat head screwdriver.
- Remove voltage selector and rotate to desired value
 - 100V
 - 115V
 - 127V
 - 230V
- Units ship to distribution centres with voltage pre-set appropriate for continent served.



JUDGE QC

- Switch panel features raised buttons for easy fingertip selection.
- ‘Lamp Status’ LED indicates when lamps are nearing the end of their usable life.



Light Source LED:
Illuminates *Blue* when the
selected light source is in
use

‘Lamp Status’ LED

‘Lamp Status’	Hour Count	Day Count	Action
GREEN	0-1900	0-334	None – Lamps are within the manufactures stated lifetime.
RED / GREEN (FLASHING)	1901-1999	335-364	Order replacement lamps – lamps are approaching the end of their usable life.
RED	2000	365	Replace lamps – lamps are no longer within the manufactures stated lifetime.

LAMPS FOR EVERY NEED

Our high-quality lamps are planned to last at least one full year of constant usage. But as expected, lamps eventually need to be replaced. We conveniently offer pairs and individual replacement lamps – all double-packed to arrive safely for easy install.

Item #	Description	Optimal Usage
L24D65	Dual* D65 replacement lamps (daylight)	Dedicated light source for industrial applications
L24D50	Dual* D50 replacement lamps (daylight)	Dedicated light source for mainly for print and packaging applications
L24TL84	Single TL84 lamp (store)	Comparing samples within specific retailer simulated lighting
L24U30	Single U30 lamp (store)	
L24U35	Single U35 bulb (store)	
L24CWF	Single Cool White Fluorescent lamp (store)	
L24CIEA	Dual* CIE “A” Tungsten Halogen lamps (home)	Comparing samples within “home” simulated lighting
L24UV	Single Ultraviolet lamp (Whites)	For checking consistency when optical brightening agents are added to create “whiter-than-white effects on a range of different.

*Sold as pairs as booths require 2 of each to operate properly.

INDIVIDUAL LAMPS

Part No.	Description
L24D50	D50 Individual 24" Lamp For Judgell, JudgeQC and Pantone 3/5 (two required per booth) *
L24D65	D65 Individual 24" Lamp For Judgell, JudgeQC and Pantone 3/5 (two required per booth) *
L24U30	U30 Individual 24" Lamp For Judgell, JudgeQC and Pantone 3/5
L24U35	U35 Individual 24" Lamp For Judgell, JudgeQC and Pantone 3/5
L24TL84	TL84 Individual 24" Lamp For Judgell, JudgeQC and Pantone 3/5
L24CWF	CWF Individual 24" Lamp For Judgell, JudgeQC and Pantone 3/5
L24CIEA	CIE A Individual 24" Lamp For JudgeQC and Pantone 3/5 (two required per booth) #
L24UV	UV Individual 24" Lamp For Judgell, JudgeQC and Pantone 3/5 *

* Note 2 lamps per booth required

All lamps except marked # are available to fit Judgell

JUDGE QC LAMP CONFIGURATIONS

Part No.	Description	Daylight D50	Daylight D65	Home A	Whites UV	Store CWF	Store TL84	Store U30	Store U35
JQCD65840	Judge QC Light booth with single daylight (D65/TL84/CWF/A/UV), universal voltage 100/115/127/230.		X	X	X	X	X		
JQCD65835	Judge QC Light booth with single daylight (D65/U35/CWF/A/UV), universal voltage 100/115/127/230.		X	X	X	X			X
JQCD65830	Judge QC Light booth with single daylight (D65/U30/CWF/A/UV), universal voltage 100/115/127/230.		X	X	X	X		X	
JQCD50840	Judge QC Light booth with single daylight (D50/TL84/CWF/A/UV), universal voltage 100/115/127/230.	X		X	X	X	X		
JQCD50835	Judge QC Light booth with single daylight (D50/U35/CWF/A/UV), universal voltage 100/115/127/230.	X		X	X	X			X
JQCD50830	Judge QC Light booth with single daylight (D50/U30/CWF/A/UV), universal voltage 100/115/127/230.	X		X	X	X		X	
JQCDDCWF	Judge QC Light booth with dual daylight , UV & A (D50/D65/CWF), universal voltage 100/115/127/230.	X	X	X	X	X			

NOTE: Refer to the light source table displayed on the outside of the canopy to identify exactly which lamp types are fitted in the cabinet.

PANTONE 3 – Two Choices

Item #	Description	Daylight D50	Daylight D65	Home A	Whites UV	Store CWF	Store TL84	Store U30	Store U35
P3D65840	3 Bulb Booth - Option A		X	X			X		
P3D50CWF	3 Bulb Booth - Option B	X		X		X			

Standard Booth Features:

- 3 light configuration
- Simple rocker style switches
- Light source hour counter
- Sized to fit well into most work spaces
- Durable, aluminum construction
- Powder-coated finish for stain and scratch resistance
- Long, expected life span with warranty.



LAMP KITS

	Part No.	D50	D65	A	CWF	UV	TL84	U30	U35
JudgeQC	LS5D65840		2	2	1	1	1		
	LS5D65835		2	2	1	1			1
	LS5D65830		2	2	1	1		1	
	LS5D50840	2		2	1	1	1		
	LS5D50835	2		2	1	1			1
	LS5D50830	2		2	1	1		1	
JD	LS5DDCWF	2	2	2	1	1			

CERTCON – Option to have pre-certified lamps kits with conformance certificate user self service. Add “-CERTCON” to part numbers above, additional cost on all lamp kits

X-RITE PANTONE RANGE

X-Rite PANTONE Comparison		Judge QC	Judge QC (Dual daylight)	SPLQC	PANTONE 3
Viewing Area H x W x D	cm	38 x 63.5 x 47	38 x 63.5 x 47	58 x 89 x 57	35 x 68.5 x 39.5
View area total volume	cm ²	113,411	113,411	294,234	94,701
Total Light Sources		5	5	6	3
Daylight Type		Fluorescent	Fluorescent	Filtered	Fluorescent
Daylight 5000K		Option of 1	✓	Option of 1	Option of 1
Daylight 6500K		Option of 1	✓	Option of 1	Option of 1
"A" Tungsten Halogen (home light)		✓	✓	✓	✓
Ultraviolet		✓	✓	Calibrated	✗
Store Lamp options		Max 2	Max 1	Max 3	Max 1
Horizon Daylight		✗	✗	✓	✗
840 Fluorescent (TL84)		✓	✓	✓	✓
U30		✓	✓	✓	✓
U35 Fluorescent		✓	✓	✓	✓
Switch Panel Type		Micro Switch with overlay	Micro Switch with overlay	Membrane with LCD Display	Rocker
Lamp Sequencing		✗	✗	✓	✗
Adjustable Lux Levels / Dimmer with auto Lux control		✗	✗	✓	✗
Built-in light sensors to monitor light levels		✗	✗	✓	✗
Computer interface for control and monitoring		✗	✗	✓	✗
Remote Control / Luminaire options		✗	✗	✓	✗
User/Specification programmable configurations		✗	✗	✓	✗

Q&A



D65



D50



STORE



HOME